

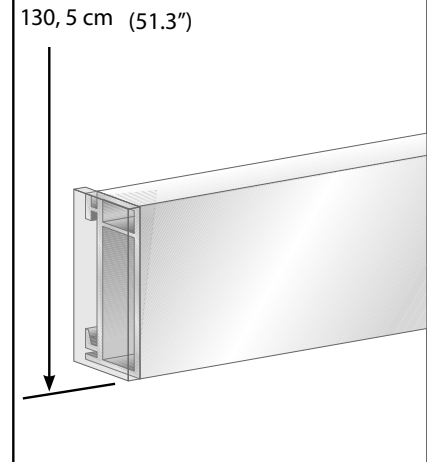
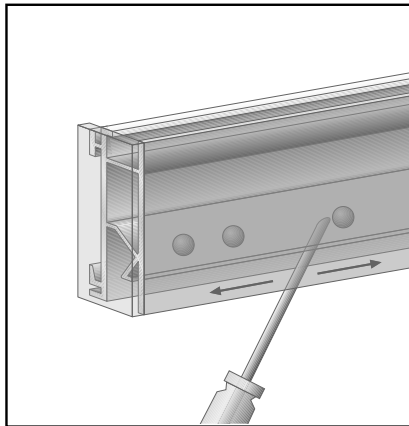
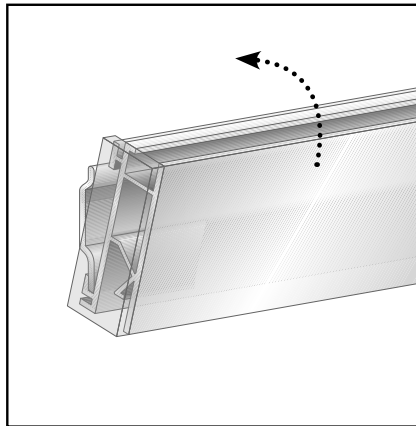
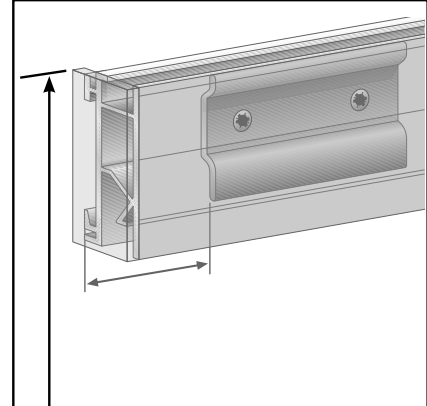
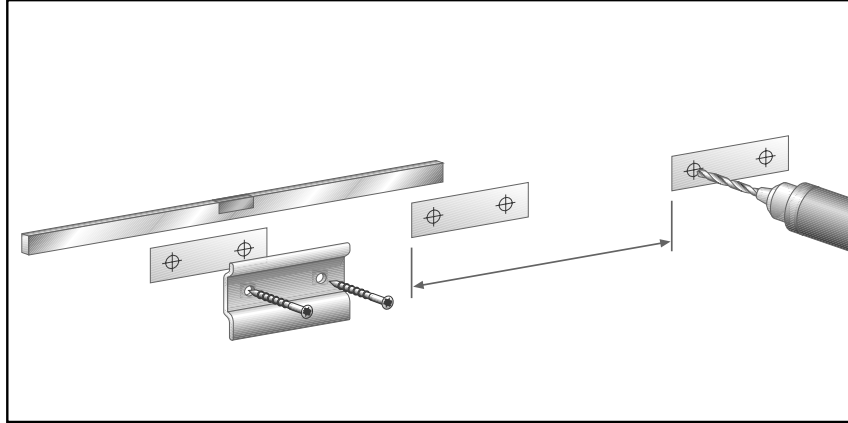


## VIP Media Wall Mounting Instructions

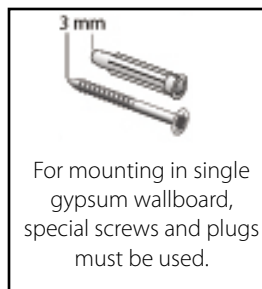
---

VIP Rail System  
VIP Component Boards

## VIP Rail Only Mounting Instructions Top & Bottom



length in cm(inches)	Total number of mounts top and bottom
up to 600 cm (236.5")	<b>20</b> (10/top-10/bottom)
up to 500 cm (197")	<b>16</b> (8/top-8/bottom)
up to 400 cm (157.5")	<b>12</b> (6/top-6/bottom)
up to 300 cm (118")	<b>10</b> (5/top-5/bottom)
up to 240 cm (94.5")	<b>8</b> (4/top-4/bottom)
up to 200 cm (79")	<b>6</b> (3/top-3/bottom)
up to 120 cm (47.5")	<b>4</b> (2/top-2/bottom)

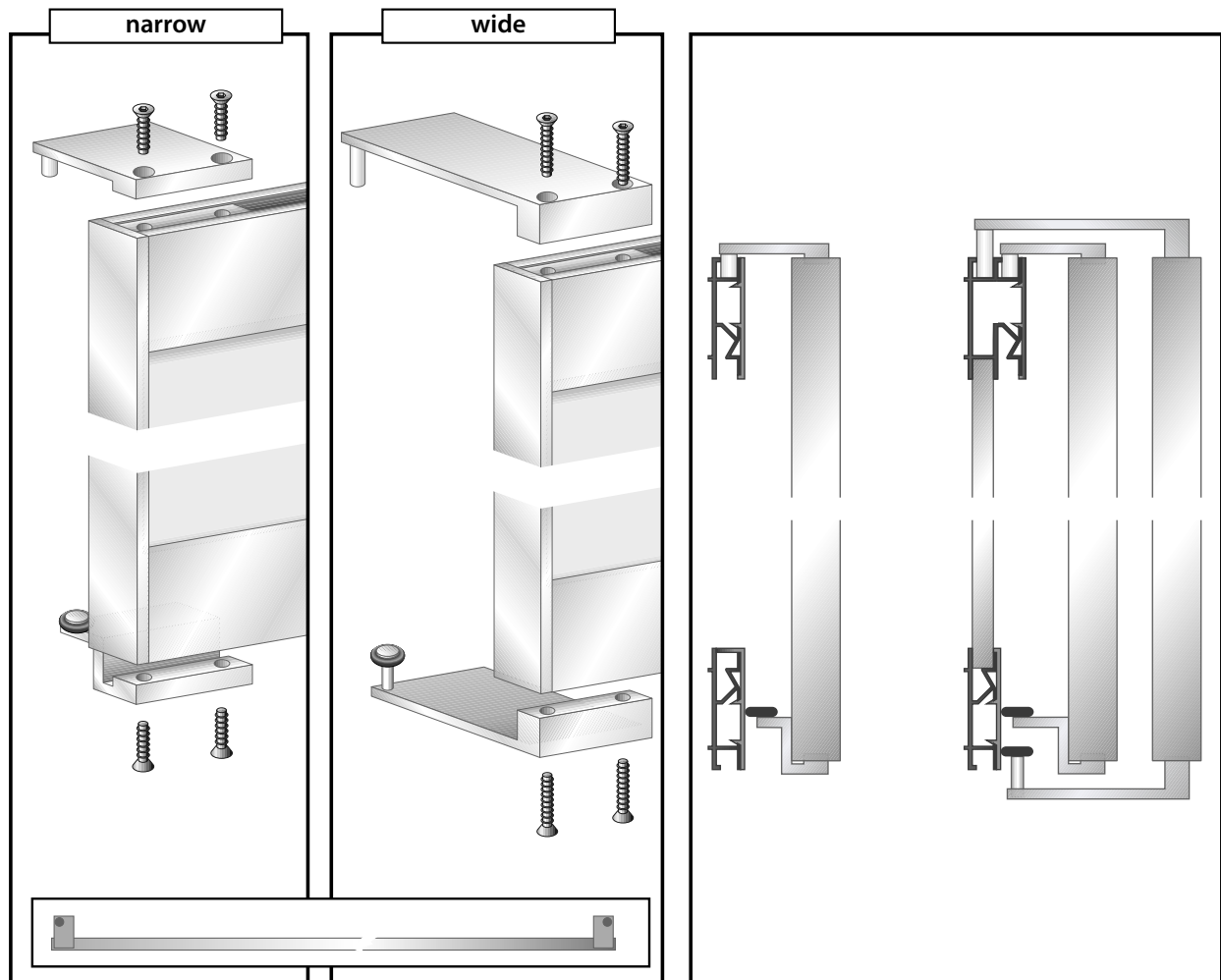


Items included (per mount)	
2	4.5 x 35mm screw
1	mounting bracket
2	6mm universal wall plugs

Universal wall plugs are suitable for mounting in concrete, stone, lightweight concrete, aerated concrete, hollow tiles and particle board.

See notes on page 2 for more information.

## VIP Flexible Component Board Bracket Assembly Instructions



Items included (per board)		
2 narrow top brackets (w/glide insert)	— or —	2 wide top brackets (w/glide insert)
2 narrow bottom brackets (w/rollers)		2 wide bottom brackets (w/rollers)
8 5 x 10mm screws		8 5 x 20mm screws
1 4mm Allen wrench		1 4mm Allen wrench

**WARNING: Danger if improperly installed.** Installation must be done by a qualified professional.

For disposal, the components should be divided by type of material if possible. In any case, this product can be recycled at a community recycling center.

## Notes on Installation:

- Shims may be needed if the wall is not plumb and straight.
- Rubber bumpers may be needed behind boards to eliminate rattles or movement vibrations.
- Brackets must align with each other.
- Always screw into studs whenever possible.
- Outside screws on the bottom brackets should be within one inch (1") of each bracket end.

## Hanging Components:

- Check to make sure the track is clear of sheetrock dust and any other debris.
- If there is still a squeak, vibration or noise in the rail as the components slide, lubrication may be needed such as WD40, Vaseline or some other clean grease.
- Check to make sure when the brackets are installed, that the white pegs are at the top, outer corners and the wheels are at the bottom outer corners of the board.
- Check to make sure the top pegs are in the same track. Long pegs fit in the rear track closest to the wall. Short pegs fit in the front track.
- If two component boards contact each other and will not pass smoothly, check the height of both boards and try putting the long brackets on the tallest board to allow the shorter board to pass freely.

**WARNING: Danger if improperly installed.** Installation must be done by a qualified professional. Check the suitability of the wall and ceiling, and make sure that the fastening devices will withstand the loads.

For disposal, the components should be divided by type of material if possible. In any case, this product can be recycled at a community recycling center.